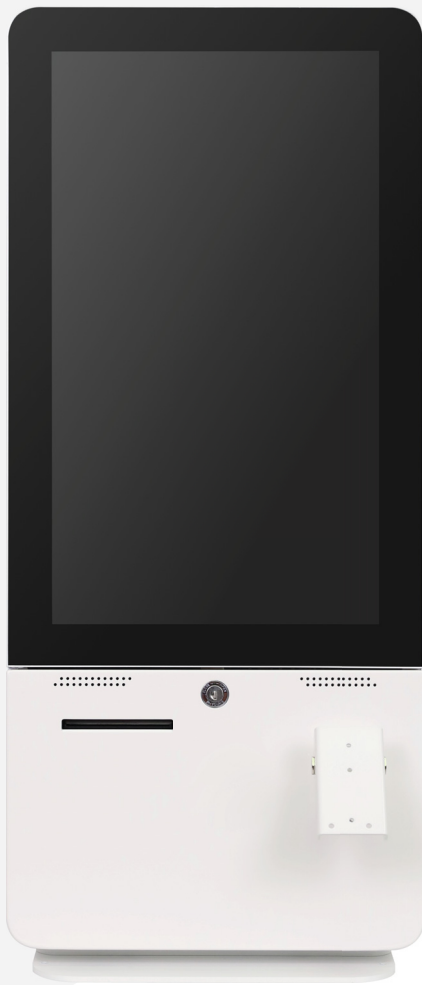


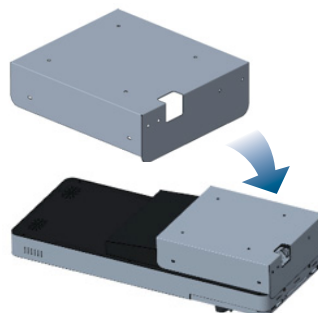
K-220D



PERIPHERAL OPTIONS



EFT Terminal
(LANE3000 / S300 / FLEX)



Wall Mount



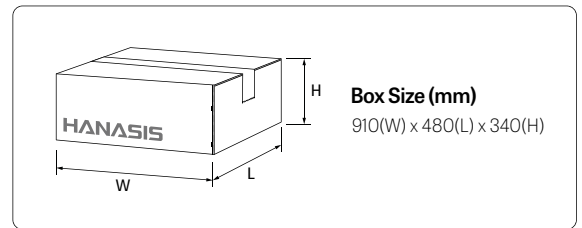
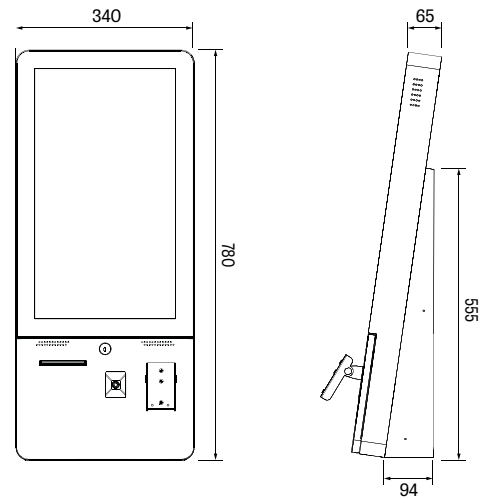
Stand

SPECIFICATIONS

CPU & Chipset	Intel® Celeron Quad-Core Processor N5095 (4M Cache Upto 2.90 GHz) Intel® Core™ 11th Gen Tigerlake I5-1135G7 Processor (8M Cache, 4.20 GHz) Intel® Core™ 11th Gen Tigerlake I3-1115G4 Processor (6M Cache, 4.10 GHz) System on Chip (SoC)
Memory	DDR4L 4GB SoDIMM (Up to 16GB)
Storage	M.2 2280 (NVMe & SATA) SSD 128GB (Up to 512GB) (Optional RAID; Ask for details)
Display	21.5", 1920 x 1080, Luminance : 250 cd/m ² , Backlight : LED
Touch Panel	21.5", Projective Capacitive Touch (Bezelleless)
HDMI	1EA (Intel® HD Graphics)
LAN	2EA (RealTek RTL8111H Gigabit LAN)
Serial	3EA (DSUB-9P x 3EA)
USB	USB 3.0 x 4EA
Audio	1 EA (Line-Out)
Speaker	2EA (5W)
Cooler & FAN	Fanless
Power Adaptor	N5095 : 60[W] Adaptor, Input AC 100~240V/50~60HZ, DC 24V/2.5A (DIN 3-Pin) I3/15 : 96[W] Adaptor, Input AC 100~240V/50~60HZ, DC 24V/4A (DIN 3-Pin)
Angle Tilt	8°
Dimension (W x L x H) (mm)	910(W) x 480(L) x 340(H)
Weight (kg)	21kg (Stand : 23kg)

DIMENSION

Unit : mm



OPTIONS

OS	Windows 10 IoT / Windows 10 PRO / Linux (CentOS 7.X ~) (Windows 11 PRO PC Version Only)
Printer	3" Thermal (Width 80.0mm, Diameter Ø 80)
EFT Terminal	Ingenico (Lane3000) PAX (S300) Clover (Flex) EFT Terminal Bracket Customizing
Scanner	2D
Wall Mount	Wall Mount Available
Color	All Black / All White

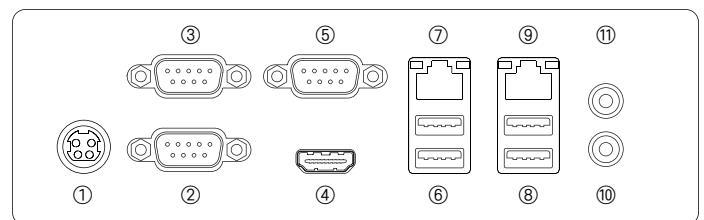
COLOR



ORDER CODES

Product Code	Description
HAN-K25PBBAE4NBDS	N5095, 4GB, 128GB, OS, All Black, Printer, No Scanner Desk Type
HAN-K25PBBAE8NBDS	N5095, 8GB, 128GB, OS, All Black, Printer, No Scanner Desk Type
HAN-K21PBBAE4NBDS	I3-1115G4, 4GB, 128GB, OS, All Black, Printer, No Scanner Desk Type
HAN-K21PBBAE8NBDS	I3-1115G4, 8GB, 128GB, OS, All Black, Printer, No Scanner Desk Type
HAN-K22PBBAE4NBDS	I5-1135G7, 4GB, 128GB, OS, All Black, Printer, No Scanner Desk Type
HAN-K22PBBAE8NBDS	I5-1135G7, 8GB, 128GB, OS, All Black, Printer, No Scanner Desk Type

I/O INTERFACES



Description

- | | | |
|-------------------|---------------------|-------------------------|
| ① DC-IN (24V) | ⑤ COM#3 (DSUB-9P) | ⑨ LAN#2 (RJ-45) |
| ② COM#1 (DSUB-9P) | ⑥ USB 1&2 (USB 3.0) | ⑩ Audio Jack (Mic-In) |
| ③ COM#2 (DSUB-9P) | ⑦ LAN #1 (RJ-45) | ⑪ Audio Jack (Line-Out) |
| ④ HDMI | ⑧ USB 3&4 (USB 2.0) | |

※ Product's Design and Specifications Can be Changed Without Any Notification.

HANASIS

HANASIS Co., Ltd. | <http://www.hanasis.com>
17, Saneop-ro 155beon-gil, Gwonseon-gu, Suwon-si,
Gyeonggi-do, 16648, South KOREA

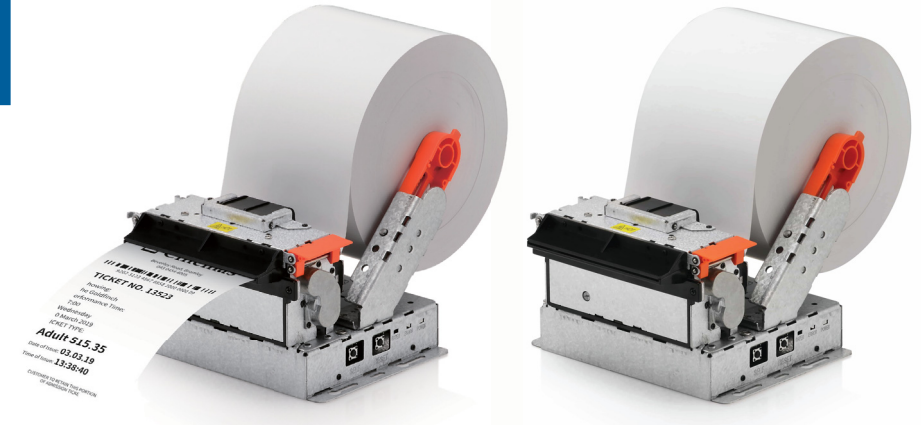


Unit 18 Chancerygate Business Centre, Whiteleaf
Road, Hemel Hempstead, HP3 9HD, UK
Tel +44 (0) 2072426146
Fax +44 (0) 7833896022
Email sales@getpos.uk
www.getpos.uk

BK3-31

3-inch Kiosk Printer

For K-220D Spec



SPECIFICATIONS

Print Characteristics	
Print Method	Direct Thermal
Print Speed	Up to 250 mm/s
Print Resolution	203 dpi
Print Width	72 / 54 / 48 / 12 mm
Sensor	Paper End, Cover Open, Near End, Black Mark

Media Characteristics	
Media Type	Receipt
Media Width	83 / 80 mm
Media Roll Diameter	Up to 80 mm
Media Thickness	0.05 - 0.12 mm
Supply Method	Easy Paper Loading

Physical Characteristics	
Dimensions (WxLxD)	Media Roll Diameter Φ 80: 130 x 130 x 91
Weight	700 g
Electrical	100-240V AV, 50/60Hz
Lever Direction	Right
Mount Direction	Vertical

Performance Characteristics	
NV Image Memory	256 Kbytes (Mono)
Receive Buffer	64 Kbytes
User Define Buffer	12 Kbytes
Interface	Standard: USB (V2.0 Full Speed) + Serial
Connector Type	Power : 2P Connector USB : 4P Connector Serial : 5P Connector

Environment Characteristics	
Temperature	Operating : -20 ~ 60 °C (-4 ~ 140 °F) ※ Optimal printing performances and maximum reliability will be obtained between 0 and 40 °C Storage : -20 ~ 60 °C (-4 ~ 140 °F)
Humidity	Operating : 10 ~ 95% (non-condensing) Storage : 10 ~ 95% (non-condensing) excluding paper

Reliability	
Thermal Print Head (TPH)	100 km
Auto Cutter	1.5 Million Cuts

Software	
Emulation	BXL / POS
Driver / Utility	Windows Driver, OPOS Driver, Linux / Mac CUPS Driver, Utility Program
SDK / Plugin	Android SDK, Windows SDK, Linux SDK

Fonts / Graphics / Symbologies	
Temperature	Font A: 12 x 24 Font B: 9 x 17 Font C: 9 x 24 KOR, CHN, JPN: 24 x 24
Humidity	Print width 72 mm : Font A: 48 Font B, C: 64, KOR, CHN, JPN: 24 (BK3-31 only) Print width 54 mm : Font A: 36 Font B, C: 48, KOR, CHN, JPN: 18 Print width 48 mm : Font A: 32 Font B, C: 42, KOR, CHN, JPN: 16 Print width 12 mm : Font A: 8 Font B, C: 10, KOR, CHN, JPN: 4
Character Sets	Alphanumeric : 95 Extended Graphics : 128 x 35 page International : 32
Temperature	Supporting user-defined fonts, graphics, formats and logos
Humidity	1D : Coda Bar, Code 39, Code 93, Code 128, EAN-8, EAN-13, ITF, UPC-A, UPC-E 2D : Data Matrix, GSI-128, GSI DataBar Stacked / Omnidirectional / Truncated / Limited / Expanded, PDF417, QR code

HANASIS

HANASIS Co., Ltd. | <http://www.hanasis.com>
17, Saneop-ro 155beon-gil, Gwonseon-gu, Suwon-si,
Gyeonggi-do, 16648, South KOREA

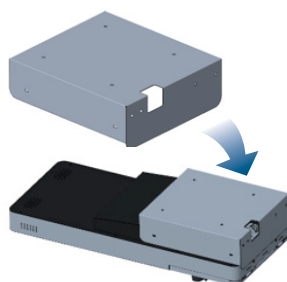
K-220AD



PERIPHERAL OPTIONS



EFT Terminal
(LANE3000 / S300 / FLEX)



Wall Mount



Stand

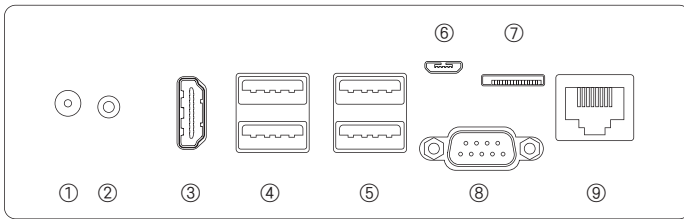


External Antenna

SPECIFICATIONS

CPU & Chipset	RK3288 Quad-core, Cortex-A17 Up to 1.8GHz System on Chip (SoC)
Memory	LPDDR3 2GB
Storage	eMMC 5.1 16GB
Display	21.5" TFT-LCD, 1920 x 1080, 24-bit, 250 cd/m ² , LED Backlight
Touch Panel	21.5", Projective Capacitive Touch
HDMI	Support 4K HDMI OUT
LAN	Support 10/100/1000M Ethernet
Serial	RS-232 x 1EA
USB	4EA (USB 2.0 I/O)
Micro SD Card	Micro SD Card x 1EA
OTG	O.T.G x 1EA (Android Update Only)
Audio	2EA (AMP 2W)
Cooler & FAN	Fanless
Power Adaptor	12V/3.5A (42W)
Angle Tilt	8°
Dimension (W x L x H) (mm)	910(W) x 480(L) x 340(H)
Weight (kg)	21kg (Stand : 23 kg)

I/O INTERFACES



Description

- | | | |
|----------|--------------------|--------------------|
| ① DC 12V | ④ USB #1 (USB 2.0) | ⑦ Micro SD Card |
| ② Audio | ⑤ USB #2 (USB 2.0) | ⑧ RS-232 (DSUB-9P) |
| ③ HDMI | ⑥ Micro USB (OTG) | ⑨ LAN |

COLOR



All Black



All White

OPTIONS

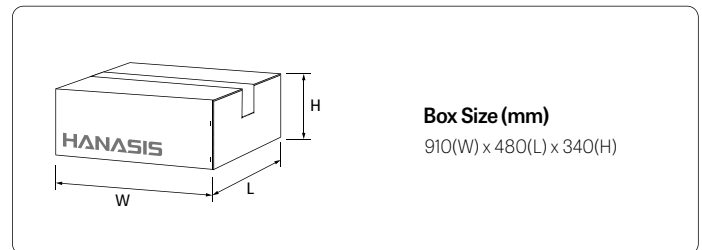
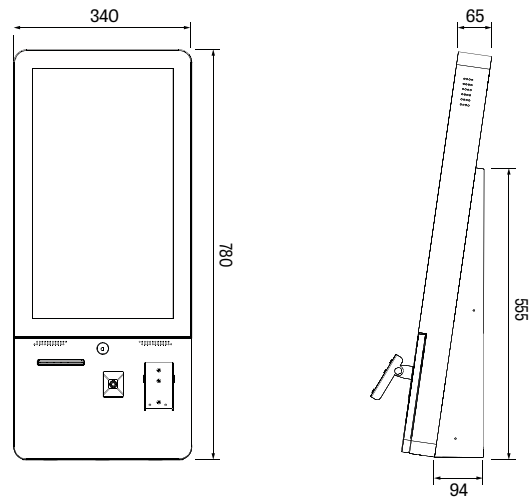
OS	Android 8.1 GMS	Android 12
Printer	3"Thermal (Width 80.0mm, BK3-31VeA-HNE (Bixolon))	
WiFi	External WiFi (2.4GHz)	
EFT Terminal	Ingenico (Lane3000) PAX (S300) Clover (Flex) EFT Terminal Bracket Customizing	
Scanner	2D	
Wall Mount	Wall Mount Available	
Case Color	All Black / All White	

ORDER CODES

Product Code	Description
HAN-K23PWWEA2NBDS	RK3288, 2GB, 16GB, Android OS, All White, Printer No Scanner, Desk Type
HAN-K23PBBEA2NBDS	RK3288, 2GB, 16GB, Android OS, All Black, Printer No Scanner, Desk Type
HAN-K23PWWEA4NBDS	RK3288, 4GB, 16GB, Android OS, All White, Printer No Scanner, Desk Type
HAN-K23PBBEA4NBDS	RK3288, 4GB, 16GB, Android OS, All Black, Printer No Scanner, Desk Type

DIMENSION

Unit : mm



Box Size (mm)

910(W) x 480(L) x 340(H)

※ Product's Design and Specifications Can be Changed Without Any Notification.

HANASIS

HANASIS Co., Ltd. | <http://www.hanasis.com>

17, Saneop-ro 155beon-gil, Gwonseon-gu, Suwon-si,
Gyeonggi-do, 16648, South KOREA

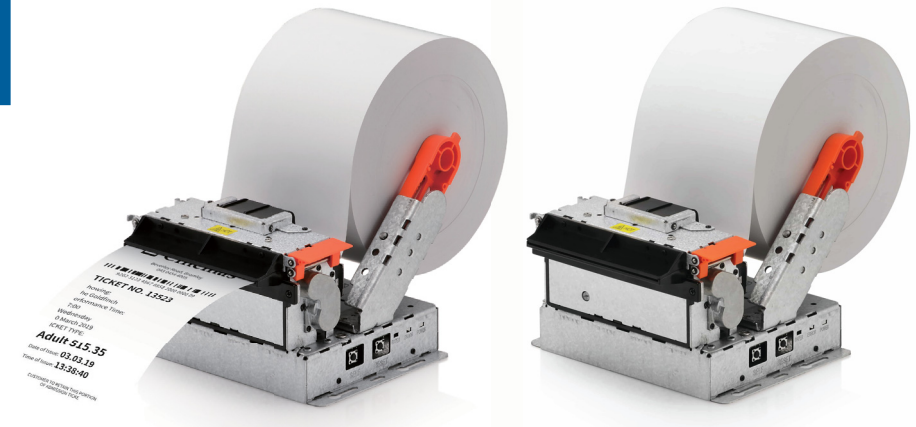


Unit 18 Chancerygate Business Centre, Whiteleaf
Road, Hemel Hempstead, HP3 9HD, UK
Tel +44 (0) 2072426146
Fax +44 (0) 7833896022
Email sales@getpos.uk
www.getpos.uk

BK3-31

3-inch Kiosk Printer

For K-220D Spec



SPECIFICATIONS

Print Characteristics	
Print Method	Direct Thermal
Print Speed	Up to 250 mm/s
Print Resolution	203 dpi
Print Width	72 / 54 / 48 / 12 mm
Sensor	Paper End, Cover Open, Near End, Black Mark

Media Characteristics	
Media Type	Receipt
Media Width	83 / 80 mm
Media Roll Diameter	Up to 80 mm
Media Thickness	0.05 - 0.12 mm
Supply Method	Easy Paper Loading

Physical Characteristics	
Dimensions (WxLxD)	Media Roll Diameter Φ 80: 130 x 130 x 91
Weight	700 g
Electrical	100-240V AV, 50/60Hz
Lever Direction	Right
Mount Direction	Vertical

Performance Characteristics	
NV Image Memory	256 Kbytes (Mono)
Receive Buffer	64 Kbytes
User Define Buffer	12 Kbytes
Interface	Standard: USB (V2.0 Full Speed) + Serial
Connector Type	Power : 2P Connector USB : 4P Connector Serial : 5P Connector

Environment Characteristics	
Temperature	Operating : -20 ~ 60 °C (-4 ~ 140 °F) ※ Optimal printing performances and maximum reliability will be obtained between 0 and 40 °C Storage : -20 ~ 60 °C (-4 ~ 140 °F)
Humidity	Operating : 10 ~ 95% (non-condensing) Storage : 10 ~ 95% (non-condensing) excluding paper

Reliability	
Thermal Print Head (TPH)	100 km
Auto Cutter	1.5 Million Cuts

Software	
Emulation	BXL / POS
Driver / Utility	Windows Driver, OPOS Driver, Linux / Mac CUPS Driver, Utility Program
SDK / Plugin	Android SDK, Windows SDK, Linux SDK

Fonts / Graphics / Symbologies	
Temperature	Font A: 12 x 24 Font B: 9 x 17 Font C: 9 x 24 KOR, CHN, JPN: 24 x 24
Humidity	Print width 72 mm : Font A: 48 Font B, C: 64, KOR, CHN, JPN: 24 (BK3-31 only) Print width 54 mm : Font A: 36 Font B, C: 48, KOR, CHN, JPN: 18 Print width 48 mm : Font A: 32 Font B, C: 42, KOR, CHN, JPN: 16 Print width 12 mm : Font A: 8 Font B, C: 10, KOR, CHN, JPN: 4
Character Sets	Alphanumeric : 95 Extended Graphics : 128 x 35 page International : 32
Temperature	Supporting user-defined fonts, graphics, formats and logos
Humidity	1D : Coda Bar, Code 39, Code 93, Code 128, EAN-8, EAN-13, ITF, UPC-A, UPC-E 2D : Data Matrix, GSI-128, GSI DataBar Stacked / Omnidirectional / Truncated / Limited / Expanded, PDF417, QR code

HANASIS

HANASIS Co., Ltd. | <http://www.hanasis.com>
17, Saneop-ro 155beon-gil, Gwonseon-gu, Suwon-si,
Gyeonggi-do, 16648, South KOREA