

K-156D



PERIPHERAL OPTIONS



EFT Terminal
(LANE3000 / S3000 / VX820)



9.7" Dual Display



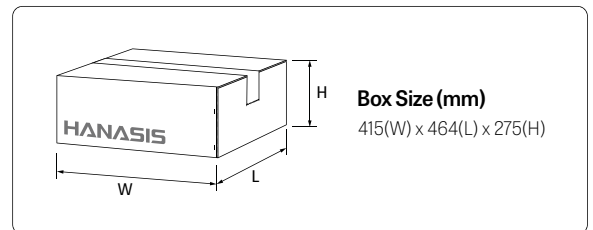
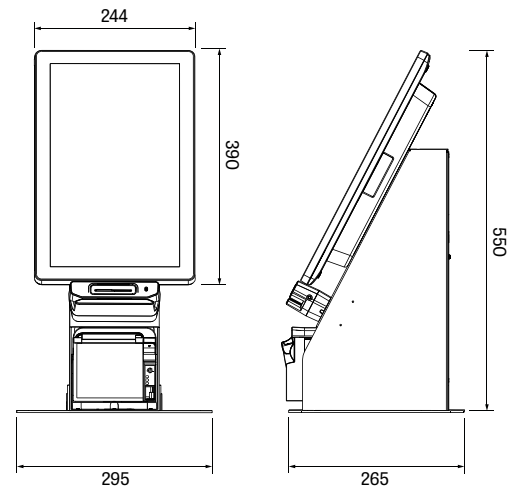
Wall Mount

SPECIFICATIONS

| | |
|-----------------------------------|---|
| CPU & Chipset | Intel® Celeron Quad-Core Processor N5095 (4M Cache Upto 2.90 GHz) Intel® Core™ 11th Gen Tigerlake I5-1135G7 Processor (8M Cache, 4.20 GHz) System on chip (SoC) |
| Memory | DDR4L 4GB SoDIMM (Up to 16GB) |
| Storage | 2.5", SATA-III SSD 128GB (Up to 512GB) |
| Display | 15.6", 1366 x 768 (HD), 24Bit, Luminance : 400 cd/m ² , Backlight : LED |
| Touch Panel | 15.6", Projective Capacitive Touch (Bezelleless) |
| HDMI | 1EA (Intel® HD Graphics) |
| LAN | 1EA (RealTek RTL8111H Gigabit LAN) |
| Serial | 5EA (DSUB-9P x 2EA / RJ-45 x 2EA / RJ-11 x 1EA(MSR)) |
| USB | USB 3.0 x 4EA (I/O), USB 2.0 x 2EA (Rear) |
| Audio | 1EA (Line-Out) |
| Speaker | 1EA (1W) |
| Cooler & FAN | Fanless |
| Cash Drawer | 1EA (RJ-11) (DK port default : 24V/GPIO) |
| Power Adaptor | N5095 : 60[W] Adaptor, Input AC 100-240V/50-60HZ, DC 24V/2.5A (DIN 3-Pin) I5 : 96[W] Adaptor, Input AC 100-240V/50-60HZ, DC 24V/4A (DIN 3-Pin) |
| Angle Tilt | 15 ~ 45° |
| Dimension (W x L x H) (mm) | 415(W) x 464(L) x 275(H) (BOX) |
| Weight (kg) | 5kg |

DIMENSION

Unit : mm



OPTIONS

| | |
|---------------------|---|
| OS | Windows 10 IoT / Windows 10 PRO (Windows 11 PRO PC Version Only) |
| Dual Display | 9.7", TFT-LCD, 1024 x 768, LED panel, -20 ~ 40° Tilt (Non-touch / PCAP Touch) |
| Printer | EU-m30 (EPSON) |
| EFT Terminal | Ingenico (Lane3000) PAX (S300) Verifone (VX820) EFT Terminal Bracket Customizing |
| Scanner | 1D /2D |
| Wall Mount | Wall Mount Available |
| Color | All Black |

I/O INTERFACES



Description

- | | |
|-----------------------|-------------------------|
| ① DC-OUT (12V) | ⑧ USB 3.0 |
| ② DC-IN (24V) | ⑨ Audio Jack (Line-Out) |
| ③ Cash Drawer (RJ-11) | ⑩ HDMI |
| ④ COM#1 (DSUB-9P) | ⑪ COM#3 (RJ-45) |
| ⑤ COM#2 (DSUB-9P) | ⑫ COM#4 (RJ-45) |
| ⑥ USB 3.0 | ⑬ COM#5 / MSR (RJ-45) |
| ⑦ LAN (RJ-45) | |

COLOR



All Black



MEMO

※ Product's Design and Specifications Can be Changed Without Any Notification.

HANASIS

HANASIS Co., Ltd. | <http://www.hanasis.com>
17, Saneop-ro 155beon-gil, Gwonseon-gu, Suwon-si,
Gyeonggi-do, 16648, South KOREA

GETPOS
UK
EPOS FOR YOU

Unit 18 Chancerygate Business Centre, Whiteleaf
Road, Hemel Hempstead, HP3 9HD, UK
Tel +44 (0) 2072426146
Fax +44 (0) 7833896022
Email sales@getpos.uk
www.getpos.uk