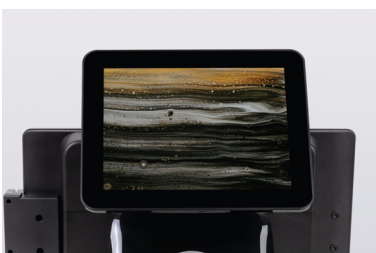


HIT 156



PERIPHERAL OPTIONS



9.7" Dual Display



MSR



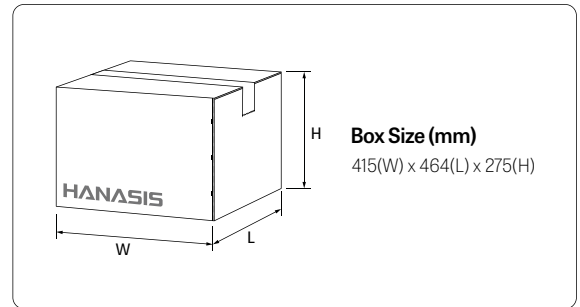
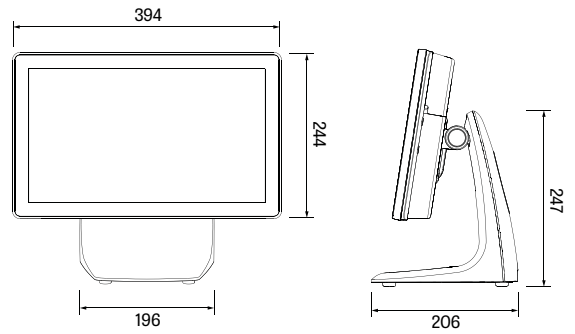
Customer Display (VFD)

SPECIFICATIONS

CPU & Chipset	Intel® Celeron Quad-Core Processor N5095 (4M Cache Upto 2.90 GHz) Intel® Core™ 11th Gen Tigerlake I5-1135G7 Processor (8M Cache, 4.20 GHz) Intel® Core™ 11th Gen Tigerlake I3-1115G4 Processor (6M Cache, 4.10 GHz) System on chip (SoC)
Memory	DDR4L 4GB SoDIMM (Up to 16GB)
Storage	2.5", SATA-III SSD 128GB (Up to 512GB) (Optional RAID; Ask for details)
Display	15.6", 1366 x 768 (HD), 24Bit, Luminance : 400 cd/m ² , Backlight : LED 15.6", 1920 x 1080 (FHD), 24Bit, Luminance : 400 cd/m ² , Backlight : LED
Touch Panel	15.6", Projective Capacitive Touch (Bezelleless)
HDMI	1EA (Intel® HD Graphics)
LAN	1EA (RealTek RTL8111H Gigabit LAN)
Serial	5EA (DSUB-9P x 2EA / RJ-45 x 2EA / RJ-11 x 1EA(MSR))
USB	USB 3.0 x 4EA (I/O), USB 2.0 x 2EA (Rear)
Audio	1EA (Line-Out)
Speaker	1EA (1W)
Cooler & FAN	Fanless
Cash Drawer	1EA (RJ-11) (DK port default : 24V/GPIO)
Power Adaptor	N5095 : 60[W] Adaptor, Input AC 100~240V/50~60HZ, DC 24V/2.5A (DIN 3-Pin) I3/I5 : 96[W] Adaptor, Input AC 100~240V/50~60HZ, DC 24V/4A (DIN 3-Pin)
Dimension (W x L x H) (mm)	415(W) x 464(L) x 275(H) (BOX)
Weight (kg)	5kg

DIMENSION

Unit : mm



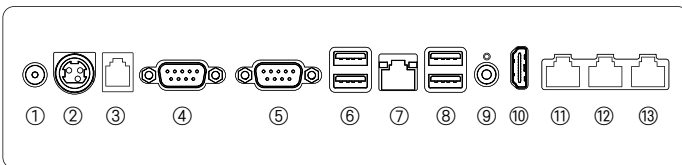
OPTIONS

OS	Windows 10 IoT / Windows 10 PRO / Linux (CentOS 7.X -) (Windows 11 PRO PC Version Only)
Dual Display	9.7", TFT-LCD, 1024 x 768, LED panel (Non-touch / PCAP Touch)
Customer Display	VFD Type 20 Characters x 2 Lines (Serial RS-232)
Customer Card Reader	Dual-Track(1&2) or Triple-Track(1&2&3) (USB)
Case Color	All Black / All White

ORDER CODES

Product Code	Description
HAN-H65PBBAE4NNV3	N5095, 4GB, 128GB, OS, All Black, V3 Stand
HAN-H65PBBBE4NNV3	N5095, 4GB, 256GB, OS, All Black, V3 Stand
HAN-H65PBBAE8NNV3	N5095, 8GB, 128GB, OS, All Black, V3 Stand
HAN-H65PBBBE8NNV3	N5095, 8GB, 256GB, OS, All Black, V3 Stand
HAN-H61PBBAE4NNV3	I3-1115G4, 4GB, 128GB, OS, All Black, V3 Stand
HAN-H61PBBBE4NNV3	I3-1115G4, 4GB, 256GB, OS, All Black, V3 Stand
HAN-H61PBBAE8NNV3	I3-1115G4, 8GB, 128GB, OS, All Black, V3 Stand
HAN-H61PBBBE8NNV3	I3-1115G4, 8GB, 256GB, OS, All Black, V3 Stand

I/O INTERFACES



Description

- | | |
|-----------------------|-------------------------|
| ① DC-OUT (12V) | ⑧ USB 3.0 |
| ② DC-IN (24V) | ⑨ Audio Jack (Line-Out) |
| ③ Cash Drawer (RJ-11) | ⑩ HDMI |
| ④ COM#1 (DSUB-9P) | ⑪ COM#3 (RJ-45) |
| ⑤ COM#2 (DSUB-9P) | ⑫ COM#4 (RJ-45) |
| ⑥ USB 3.0 | ⑬ COM#5 / MSR (RJ-45) |
| ⑦ LAN (RJ-45) | |

COLOR



※ Product's Design and Specifications Can be Changed Without Any Notification.

HANASIS

HANASIS Co., Ltd. | <http://www.hanasis.com>
17, Saneop-ro 155beon-gil, Gwonseon-gu, Suwon-si,
Gyeonggi-do, 16648, South KOREA

GETPOS
UK
EPOS FOR YOU

Unit 18 Chancerygate Business Centre, Whiteleaf
Road, Hemel Hempstead, HP3 9HD, UK
Tel +44 (0) 2072426146
Fax +44 (0) 7833896022
Email sales@getpos.uk
www.getpos.uk